

Cell Counting Chamber

Disposable hemocytometer type counting chamber

These disposable counting chambers are like the well known classical blood counting chambers, but are more cost effective because they have two cell counting surfaces per plate. A sterilized version of this product is also available for aseptic procedures.

Details:

■ Simple Grid Pattern

The simple design of the grid pattern makes cell counting simple and user friendly.

■ Safety

This product is disposable and reduces the risks associated with the handling of infectious samples.

■ Easy to handle

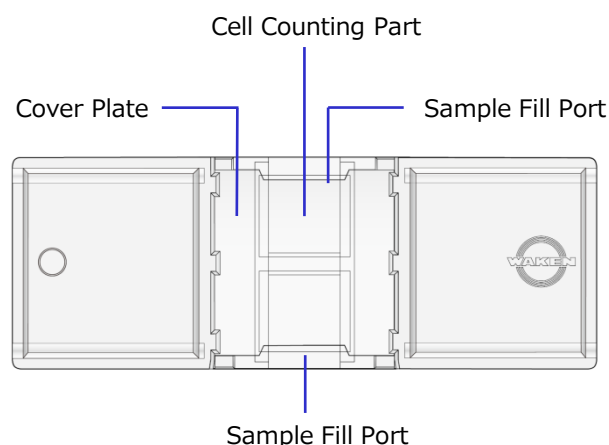
When pressure is applied to the edge of the plate, the opposite side come off the surface. This design makes the device very easy to use even by an operator wearing gloves.

■ High-Speed Filling

Cell samples are drawn into the chambers immediately and uniformly. This makes the procedure easy and reproducible. Operators can handle large numbers of samples without becoming stressed.

■ Sterilized Package

Sterilized packages are available. These double layered packs contain 10 pieces and are designed for use in the clean room.

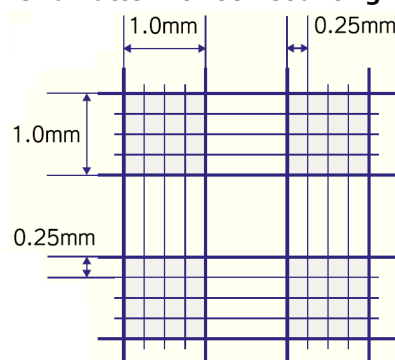


Sterilized and double layer package



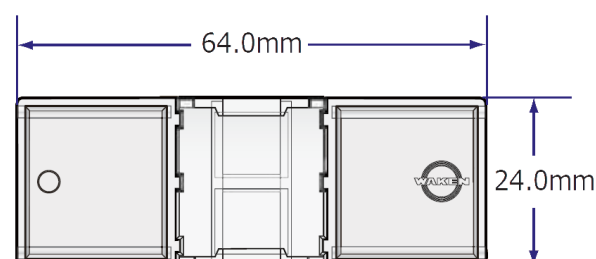
Easy to open even if wearing gloves.

Grid Pattern of Cell Counting Part



Width of thick line : 0.014 (凸0.005~0.007) mm

Width of thin line : 0.005 (凸0.003~0.005) mm



WAKEN  TECH CO., LTD.

WAKENBTECH CO.,LTD.

1-12-8, Senbahigashi, Minoh-city, Osaka 562-0035, JAPAN

T: +81-72-749-5300 F: +81-72-749-5600

E: info@wakenbtech.co.jp W: www.wakenbtech.co.jp